

FK18SRPro

**Boutique Manufacturing
Conquer the word with Quality**



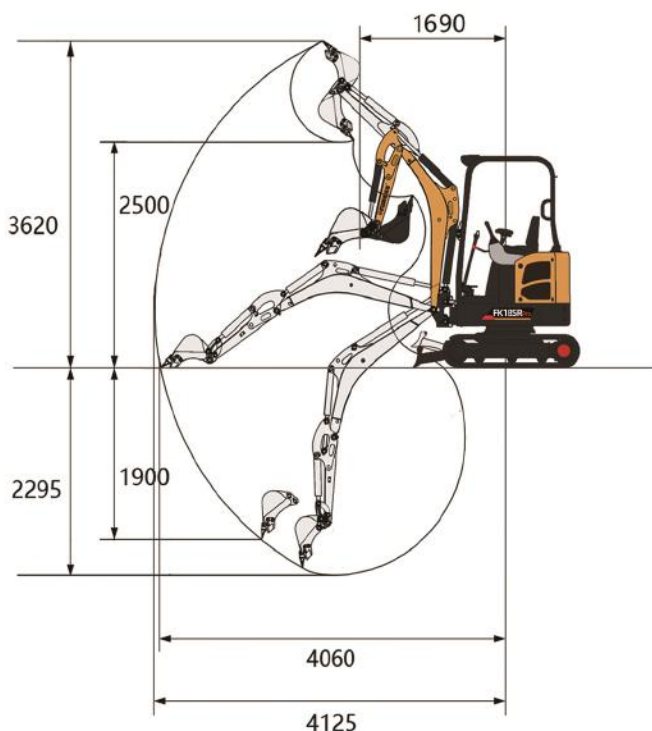
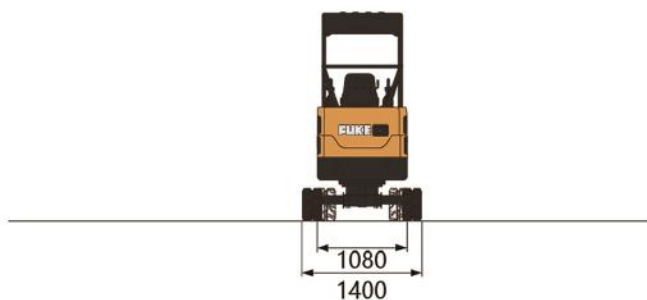
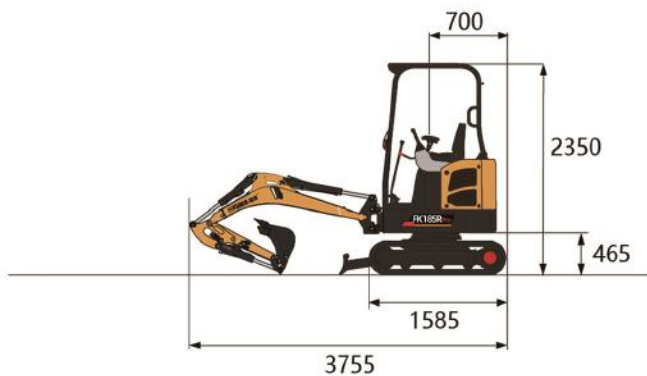
FK18SRPro

Total Weight: 1880 kg

Standard bucket capacity: 0.05 m³

Rated power: 14.5/2400 kW/rpm

- New generation product
- Exquisite
- Reliable structure
- Excellent performance
- Small and efficient
- Convenient maintenance
- Cost-effective



► Technical specifications

Basic parameters

Total Weight	1880 kg
Standard bucket capacity	0.05 m ³

Performance parameter

Engine	Yanmar
Engine rated power	14.5/2400 kW/rpm
Gradeability	30 °
Maximum digging force of stick	8.5 kN
Bucket excavation	15.5 kN
Driving speed	2/4 km/h
Platform rotation speed	8.5-10.5 rpm

Job parameters

Maximum digging height	3620 mm
Maximum digging depth	2295 mm
Maximum digging radius	4125 mm
Maximum ground excavation radius	4060 mm
Maximum unloading height	2500 mm
Minimum radius of gyration	1690 mm
Maximum vertical digging depth	1900 mm

Transport size

Overall length (transport state)	3755 mm
Overall width (transport state)	1080 mm
Overall height (transport state)	2350 mm

Other parameters

Track width	1080/1400 mm
Track length	1585 mm
Minimum ground clearance	145 mm
Balance weight off the ground	465 mm
Radius of tail gyration	700 mm
Fuel tank capacity	23 L
Hydraulic oil tank capacity	20 L

安徽福客重工设备有限公司
Anhui Fuke Heavy Industry Equipment Co., Ltd.

Contact us:

Phone/WhatsApp: +8613505697380

Email: fk002@fukebn.com/fuke7380@gmail.com

www.fukeonline.com

