

**FK FUKE 福客**

**FK14-220T**

进取不止

**FUKE**

**Boutique Manufacturing  
Conquer The World With Quality**



## *Basic Information*

Operating weight

**23.5T**

Dozing capacity

**6.4m<sup>3</sup>**

Blade width

**3725mm**

Max. torque

**1030N.m**

Rated power

**175KW**

Track gauge

**2000mm**

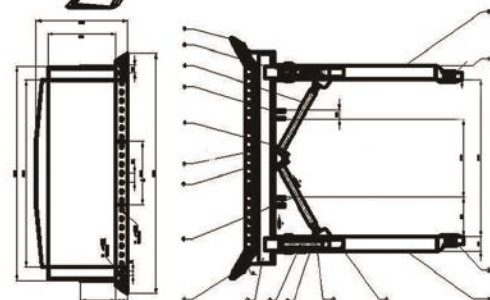
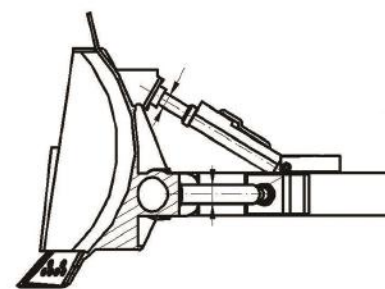
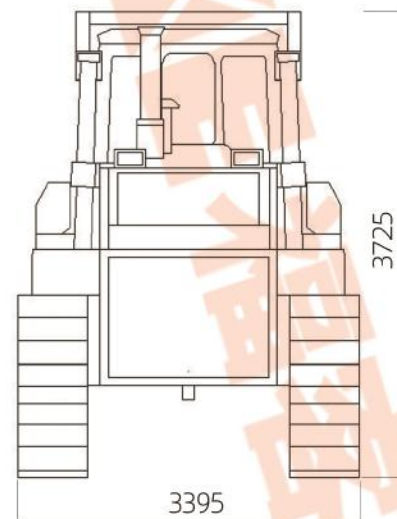
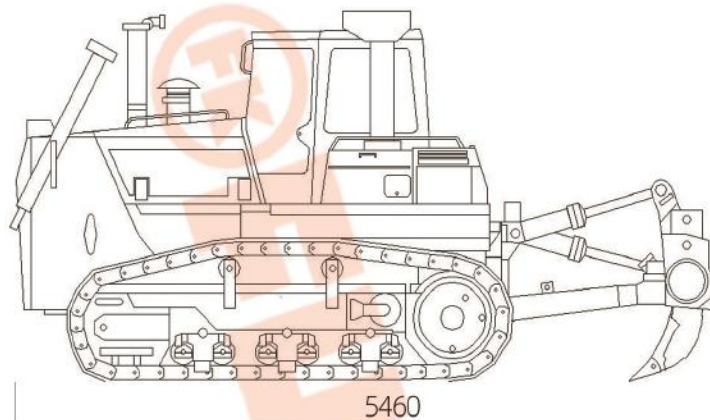


# Technical Specification



# Outline

Model	FK14-220T
Engine model	Yuchai
Displacement (L)	14.01
Rated power (kw/rpm)	175/1800
Max.torque (N.m/rpm)	1030/1250
Operating weight	23.5 Ton
Dimension(no ripper)(mm)	5460×3725×3395
Grounding length (mm)	2730
Ground pressure(MPa)	0.077
Track gauge (mm)	2000
Dozing capacity(m <sup>3</sup> )	6.4
Blade width (mm)	3725
Blade height(mm)	1317
Max drop below ground (mm)	540
Track shoe width (mm)	560
Pitch (mm)	216
Quantity of track link	38
Quantity of Carrier rollers	4
Quantity of Track rollers	12
Max pressure (MPa)	14
Discharge (L/min)	262
Max tractor force (KN)	202
Forward Speed (Km/h)	F1:0-3.6 F2:0-6.5 F3:0-11.2
Rear Speed (Km/h)	R1:0-4.3 R2:0-7.7 R3:0-13.2
Product Features	Excellent efficiency Booster Car air conditioner Protective Device GPS positioning On-board repair tools Fire extinguisher Comfortable operation



\*We follows the principle of continuous improvement Product performance parameters will be partially changed due to technical improvements without prior notice.

