



**FK-10T**  
进取不止

[www.fukeonline.com](http://www.fukeonline.com)

[fk002@fukebn.com](mailto:fk002@fukebn.com)



Maximum rated total lifting capacity

**10T**

Maximum gradeability

**45%**

Total weight

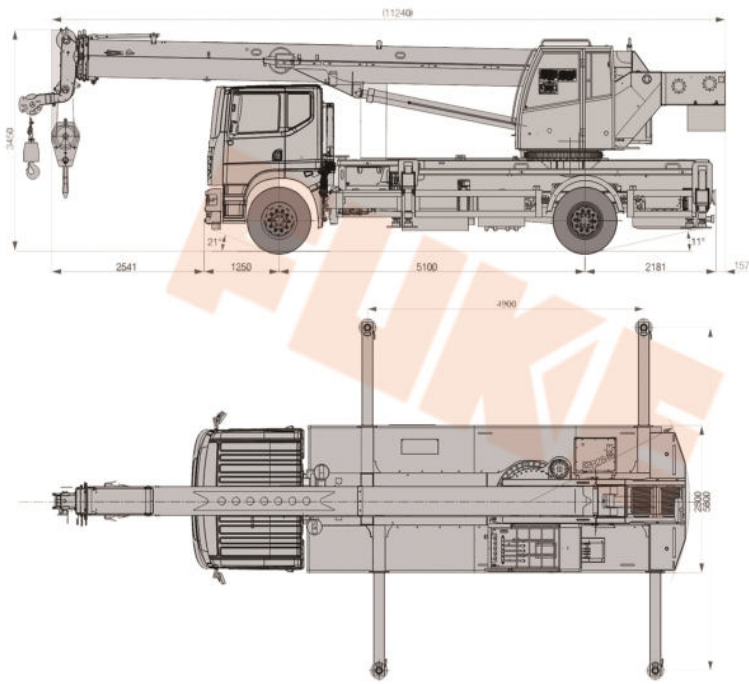
**17130kg**

**Main action parameters**

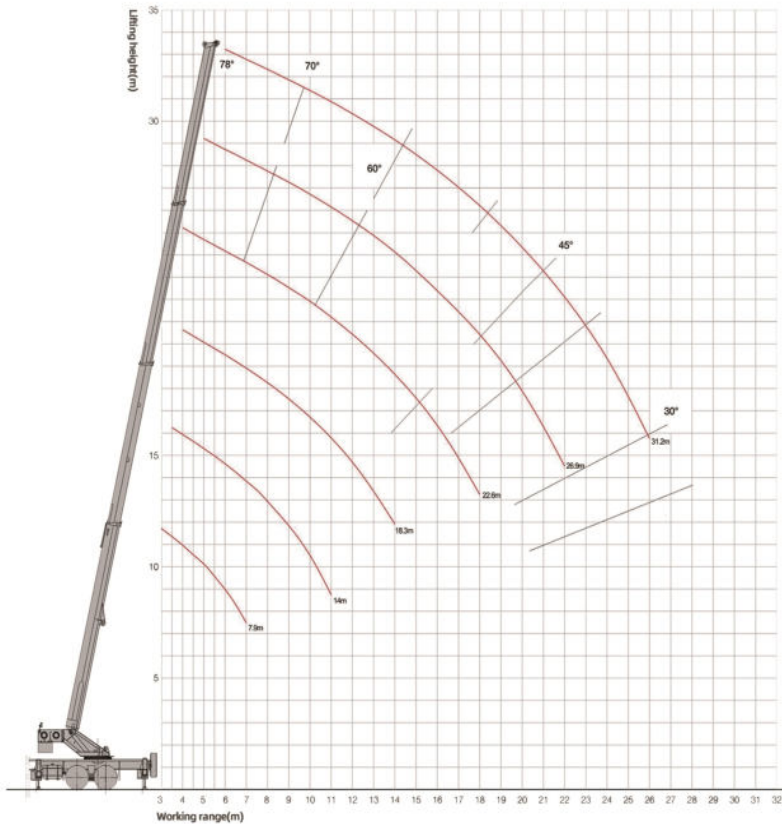
Main winch	Single rope speed 0-120m/min, diameter/length 14mm/135m, maximum single rope pulling force 4.5t
Vice winch	Single rope speed 0-120m/min, diameter/length 14mm/70m, maximum single rope pulling force 4.5t
Turn around	0-2.5 r/min
Fluctuation range	38s/50s (0-80°)
Stretch	38s/35s (9.3m-30m)



## Crane dimensions



## Lifting height curve of main and jib



## Main technical parameters

Overall length * width * height	11240*2500*3450 mm
Wheelbase	5100 mm
Engine model	Yuchai
Engine rated output power	155/2500 Kw/rpm
Engine maximum output torque	800/(1100-1700) N.m/rpm
Total mass of the whole machine	17130 kg
Maximum travel speed	> 90 km/h
Minimum turning radius	9 m
Minimum ground clearance	250 mm
Approach angle	21 °
Departure angle	11 °
Braking distance (vehicle speed is 30km/h)	8 m
Maximum grade	45%
Fuel consumption per hundred kilometers	19 L
Maximum rated total lifting capacity	10 t
Minimum rated range	3 m
Maximum lifting moment	510/300 kN.m
Outrigger span (horizontal x longitudinal)	5.8x4.9 m
Lifting height (Basic boom/longest main boom)	10/31.5 m
Boom length(Basic boom/longest main boom)	9.69/31.2 m
Maximum speed of single rope of main winch (no load)	> 120 m/min
Boom fully extended/retracted time	38/35 s
Full lifting/falling time of boom	38/50 s
Swing speed	2.5 r/min
Horizontal outrigger full extension/retraction time	20/15 s
Vertical outrigger full retract/release time	20/15 s

## Main boom performance table

Amplitude (m)	9.69	13.992	18.294	22.596	26.898	31.2
3	12000	9500	8800			
3.5	12000	9500	8600	7000		
4	11000	9500	8400	7000		
4.5	10200	9500	8200	6500	5300	
5	8000	7800	8000	6100	5000	
5.5	6200	6400	5400	5700	4700	3900
6	5000	5200	4600	5000	4400	3700
6.5	4200	4250	3900	4500	4200	3500
7	3400	3600	2300	3900	3600	3300
8		2600	1800	3000	2900	2700
9		2050	1400	2250	2300	2300
10		1600	1100	1850	1850	1850
11		1300	800	1500	1500	1500
12				1200	1200	1200
14				850	600	900
16				400	450	600
18					300	450
20						300
Magnification	6	6	4	4	3	3
Cylinder expansion rate	0%	20%	40%	60%	80%	100%

\*We follows the principle of continuous improvement Product performance parameters will be partially changed due to technical improvements without prior notice.



Contact us:  
Phone/Whatsapp:+8613505697380  
Email:fk002@fukebn.com/fuke7380@gmail.com