

FK **FUKE** 福客®

FUKE

Boutique Manufacturing
Conquer The World With Quality

FK-120

进 取 不 止



FK-120

www.fukeonline.com

fk002@fukebn.com

Basic Information

Gross weight

14500kg

Max. roll angle

90°

Main traction force

85KN

Blade length

3658mm

Rated power

154KW

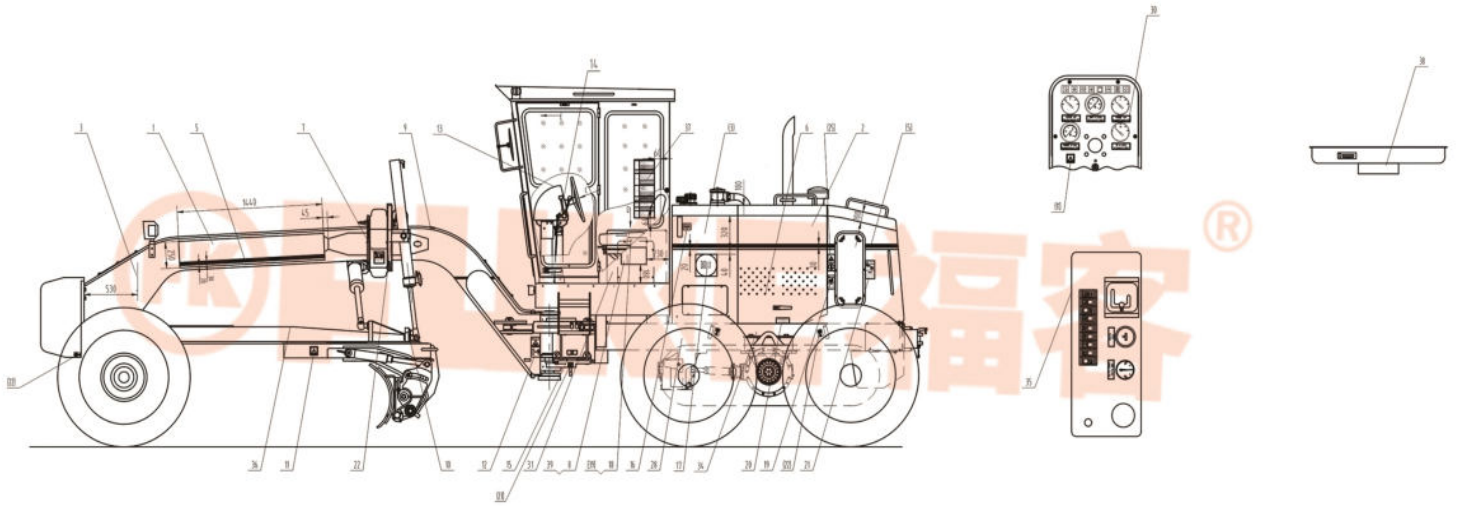
Rated rotary speed

2200rpm

www.fukeonline.com

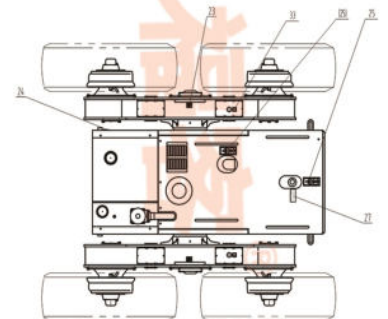
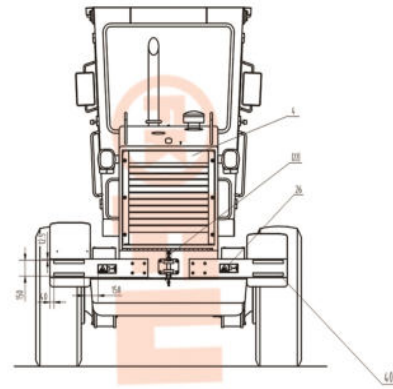
fk002@fukebn.com

Outline



Technical Specification

Gross weight	14500 Kg
Engine model	Yuchai
Rated power	154/210 KW/HP
Rated speed	2200 R/MIN
Main traction force	85 kn
Blade cutting force	7100 Kg
Dimensions (length X width X height)	8850X2600X3330 mm
Wheelbase Front and rear axle wheelbase	6300 mm
Wheelbase of middle and rear axle	1554 mm
Left and right track	2250 mm
Steering system Maximum steering angle of front wheels	50 °
Maximum articulated steering angle	25 °
Minimum turning radius	7500 mm
Blade length	3658 mm
Blade string height	610 mm
Maximum roll angle	90 °
Rotation angle	360 °
Variation range of shovel angle	30~65 °
Maximum lifting height	455 mm
Maximum penetration depth	495 mm



*We follows the principle of continuous improvement Product performance parameters will be partially changed due to technical improvements without prior notice.



Contact us:

Phone/Whatsapp:+8613505697380

Email:fk002@fukebn.com/fuke7380@gmail.com

FUKE

Anhui Fuke Heavy Industry Equipment Co., Ltd.