

FK **FUKE** 福客®

FUKE

FK35-1305G

Boutique Manufacturing,
Conquer The World with Quality



FUKE FK35-1305G **FUKE** Basic Information

Axle load

13T

Vehicle weight

6.5T

Tank wall thickness

7mm

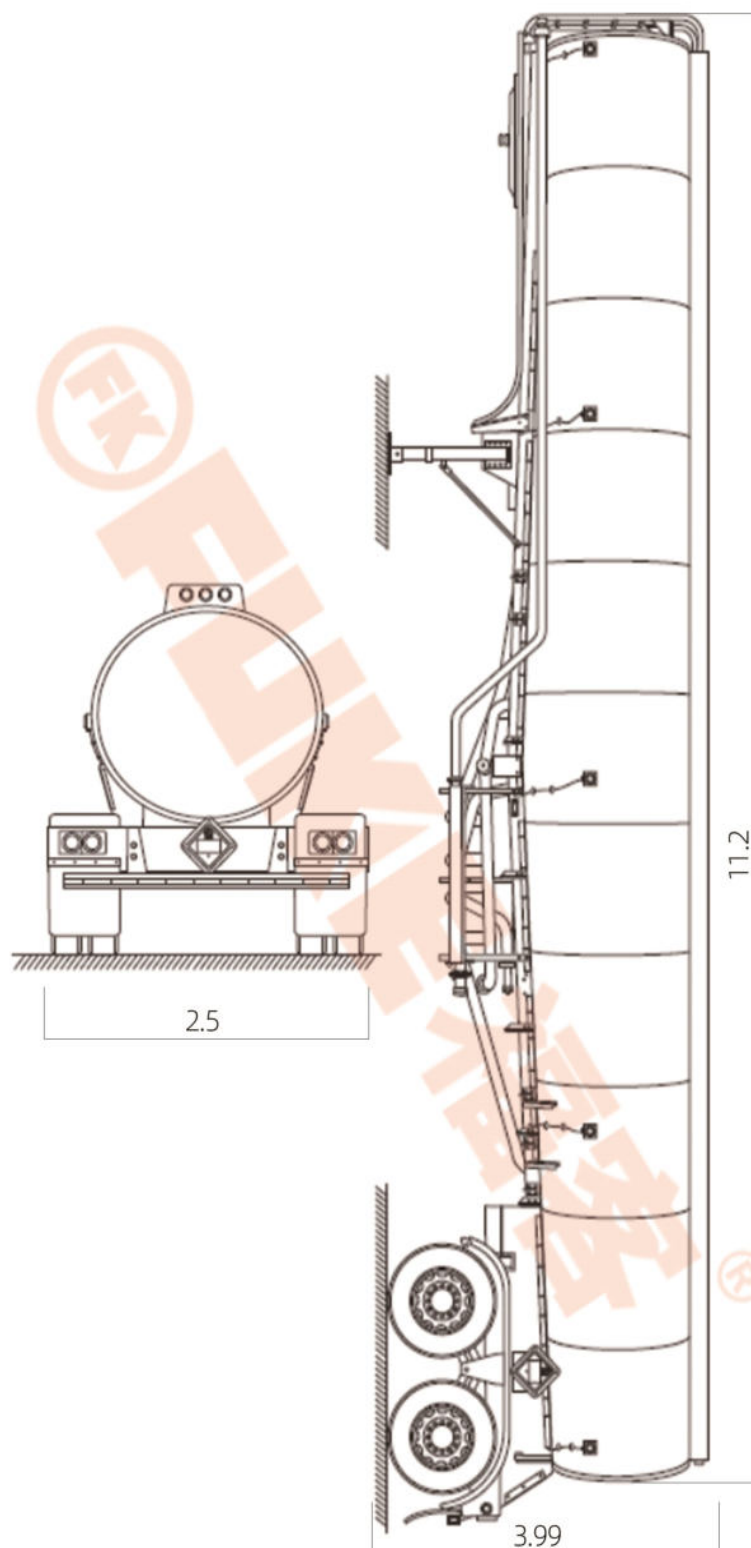
Brake room

6

Technical Specification

Outline

Model	FUKE FK35-1305G
Overall length	11.2 m
Overall width	2.5 m
Overall height	3.99 m
Vehicle weight	6.5 t
Tank volume	49 m ³
Tank material	Aluminum alloy
Tire brand	FUKE
Tire specifications	12R22.5
Number of tires	12
Axle brand	FUKE
Number of axles	3
Axle load	13 t
Wheel Brand	FUKE
Wheel material	steel
Number of wheels	12
suspension	10/40 pieces
manufacturer	FUKE
Tank wall thickness	7 mm
Number of tanks	1-2
Outrigger	Standard
Toolbox	1 piece
Brake room	6
ABS	Standard



*We follows the principle of continuous improvement Product performance parameters will be partially changed due to technical improvements without prior notice.

Contact us:

Phone/Whatsapp:+8613505697380

Email:fk002@fukebn.com/fuke7380@gmail.com

